

Large Diameter
HYMAX[®] COUPLING



**The Proven Time-Savers . . .
Plus, Reduces Your Need for Inventory**

TPS [®] **Total Piping Solutions, Inc.**

Large Diameter **HYMAX[®] COUPLING**

The Proven Time-Savers

- *For Water and Sewerage Applications, above and below ground*
- *Inventory Reduction*
- *Joins Pipe with diameter differences of up to 2.10 inches*
- *Superior Two-Stage Hydraulic Sealing Capabilities*
- *Easy fitting...four bolts total, two to tighten per end*
- *Light weight materials of construction*
- *High Deflection – Up to maximum 4 degrees per end for a total of 8 degrees per coupling*
- *Stab type installation (no disassembly required)*
- *Standard 12-inch or optional 19-inch long middle rings allow for more pipe end gap*
- *260 psig working pressure for 14-16 inch/232 psi for 18-24 inch*
- *Meets or exceeds AWWA C-219 Standard*
- *NSF61 EPDM Available*
- *14” and 16” units test per AWWA to 390 psi; 18” to 24” units test per AWWA to 350 psi or 1.5X working pressure.*
- *Dry lube stainless steel bolts, nuts and washers to prevent galling – Use of any additional wet-type lubricant on the bolts will void the warranty of the product.*
- *Cathodic Protection option is available*



The Large Diameter Hymax[®] 2000 Coupling Line

Large diameter Hymax couplings are suited to a wide range of pipe joining conditions, and each size will replace between three and four dedicated range couplings in your inventory. **Each coupling will join pipes with diameter differences up to 2.1 inches.** The large diameter Hymax coupling series can handle pipe end gaps up to 7.5 inches and will accommodate maximum total angular deflections of 8 degrees.



The Hymax 2000 offers an efficient range adjustable pressure assisted hydraulic sealing system. NSF61 EPDM Gasket available. .

The large diameter Hymax 2000 is a stab type coupling requiring no disassembly. Installer simply adjusts gasket and tightens two bolts on each end of the coupling to required torque. All work is performed from topside of the coupling, eliminating need for extra excavation and under-dig for the wrench.



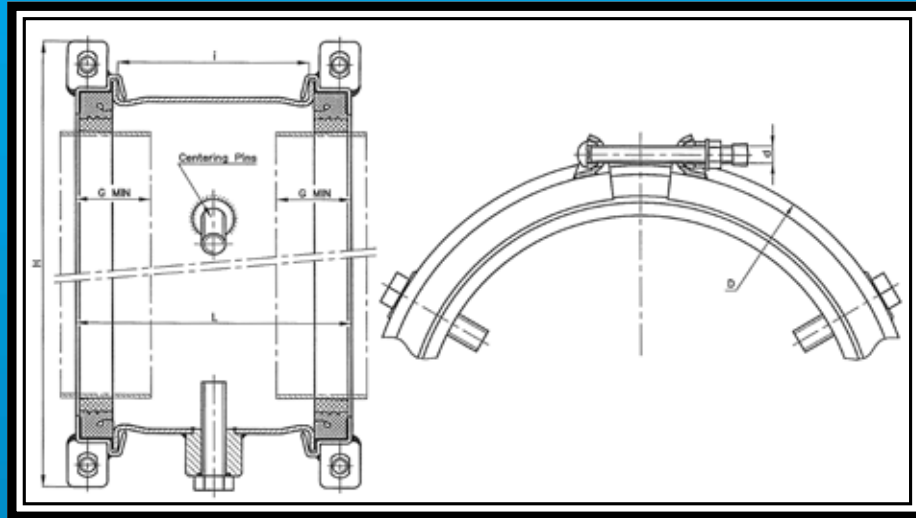
The large diameter Hymax 2000 is easily handled due to the durable nature of its superior lightweight materials of construction. Coupling is equipped with a corrosion-resistant coating of fusion-bonded epoxy and comes with a stainless steel

spanner and 304 stainless steel nuts and bolts.

Large Diameter Hymax Specifications:

- Meets or exceeds AWWA C-219 Standard
- Center Ring – ASTM A53 Grade A Steel
- End Rings – ASTM A795 Steel
- Gaskets – NSF61 EPDM Available for water and sewerage (-20° - 220°F)
- Nuts, Bolts, Washer, Bridge and other Misc. Hardware – Corrosion Resistant Type 304 Stainless Steel
- Nuts, Bolts and Washers include an anti-gall dry lube coating
- Coating – 100% Fusion Bonded Epoxy for enhanced corrosion protection with average thickness of 14 Mills
- Minimum Pipe Insertion Depth – 2.25 inches
- Working Pressure, 14-16 inch – 260 psi; 18-24 – 232 psi

Large Diameter **HYMAX[®]** COUPLING



Nom. Diameter (inch)	Part Number	Overall Range (inch)	Before Removal the Inner Layer (inch)	After Removal the Inner Layer (inch)	Pressure (PSI)	D Overall Diameter (inch)	H Overall Width (inch)	L Overall Length (inch)	I Middle Ring Length (inch)	Approx. Weight (Lbs.)
14"	2000-1710-260	15.00 -17.10	15.00 -16.10	16.02 -17.10	260	Ø21.0	23.2	11.6	8.0	82
16"	2000-1920-260	17.10 -19.20	17.10 -18.19	18.11 -19.20	260	Ø23.2	25.6	11.6	8.0	94
18"	2000-2130-232	19.20 -21.30	19.20 -20.29	20.21 -21.30	232	Ø25.3	27.8	11.6	8.0	101
20" L.R.	2000-2170-232	19.60 -21.70	19.60 -20.69	20.61 -21.70	232	Ø25.6	28.1	11.6	8.0	110
20"	2000-2335-232	21.25 -23.35	21.25 -22.35	22.27 -23.35	232	Ø27.3	29.8	11.6	8.0	110
24"	2000-2595-232	23.85 -25.95	23.85 -24.96	24.88 -25.95	232	Ø29.1	31.7	11.6	8.0	125
24" O.S.	2000-2670-232	24.60 -26.70	24.60 -25.67	25.59 -26.70	232	Ø30.6	33.2	11.6	8.0	125

All entering bolts are M16

All dimensions are subject to change.

NOTE: For specific information, dimension, or special applications on the Hymax 2000 Series, consult Total Piping Solutions, Inc.

NOTE: To extend product life in corrosive soil or corrosive environments, poly-wrapping and/or cathodic protection of the coupling is required.



Patented and Trademarked by *Krausz Industries, Ltd.*



Total Piping Solutions, Inc.
 1760 Haskell Road, Olean, New York 14760
 TEL: 716-372-0160, FAX: 716-372-1767
 E-Mail: sales@tps.us
 VISIT OUR WEBSITE: <http://tps.us>

Form: LD HYMAX 12-11

WARNING This product is not intended for use on natural gas piping or any other type of gas piping. To do so could result in escaping gas that could ignite and cause property damage, serious injury or death.

WARNING This is a non-restraining product. If pipe pullout can occur, proper anchoring of the pipe joint is required. Failure to anchor the pipe could result in the escape of line content, and may cause property damage, serious injury or death.