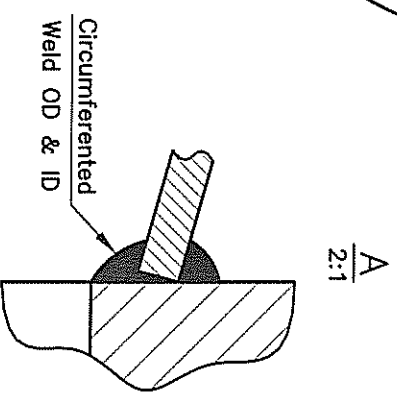
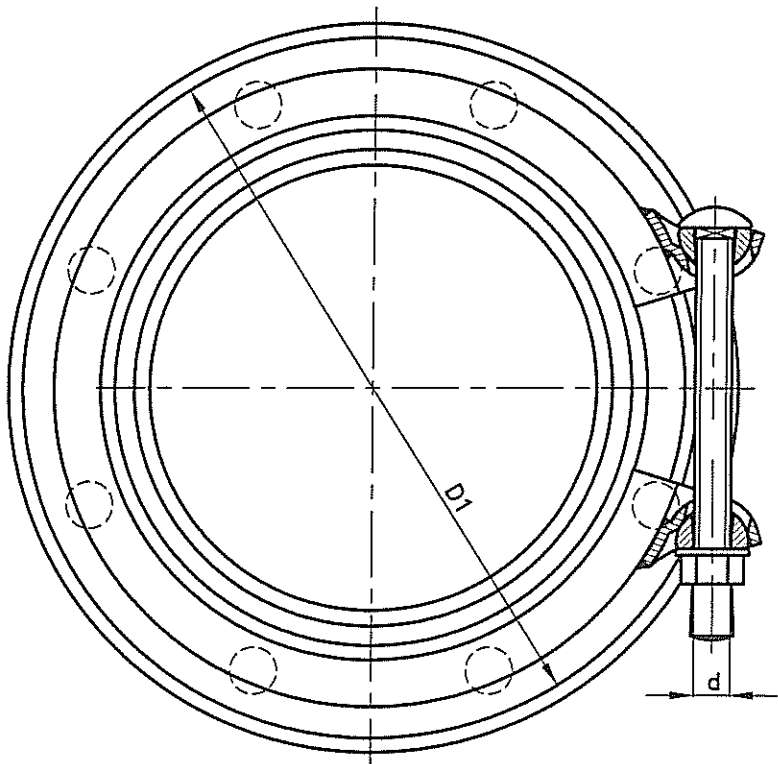


FLANGE ANSI B16.5 for 3"
FLANGE AWWA class D for 4"-12"



- 1) Hymax 2000 meets or exceeds all specifications of AWWA Standard C219.
- 2) Center Ring - ASTM A 53 Grade A steel.
- 3) End Rings - ASTM A 795 steel.
- 4) Gaskets - EPDM compounded for water and sewerage, meets NSF 61 requirements.
- 5) Bolts & Nuts - Type 304 stainless steel. Rolled thread and anti galling coating.
- 6) Bridge - Type 304 stainless steel.
- 7) Coating - 100% Fusion bonded epoxy for enhanced corrosion protection.
Average thickness 14 Mil.
- 8) G = Min. Pipe Insertion of 2.25 inch
- 9) Flange - meets ANSI B16.5 for 3" / meets AWWA class D for 4"-12".

Material	Weight	Note	Part Name:	Scale
J		Day Name	HYMAX F 2000	Project:
Change Day Name	Appr	Check	Catalog No.	Sheet
			Drawing No.	1 of 2
Confidential Information. All rights reserved to Krausz Industries Ltd. This document may not be copied, reproduced, displayed, modified or used in any way, whether in whole or in part, without the express prior written consent of Krausz Industries Ltd.				

DN (inch)	Flange (inch)	Overall Range (inch)	Before removal the inner layer (inch)	After removal the inner layer (inch)	D1 (inch)	H (inch)	I (inch)	L (inch)	D2 (inch)	B (inch)	No.-d (mm)	Torque (Ft-Lbs)	Working Pressure (PSI)	Approx. Weight (Lbs)
3"	3"	3.46-4.33	3.46-3.90	3.86-4.33	Ø6.7	7.1	2.9	4.8	Ø7.5	Ø4.02	1-M12	50	175	12
4"	4"	4.25-5.63	4.25-5.00	4.92-5.63	Ø8.7	9.3	2.9	5.1	Ø9.0	Ø5.24	1-M14	65	175	14
5"	5"	5.12-6.38	5.12-5.75	5.71-6.38	Ø9.5	10.0	4.0	6.2	Ø10.0	Ø6.14	1-M14	65	175	21
5"	6"	5.12-6.38	5.12-5.75	5.71-6.38	Ø9.5	10.0	4.0	6.2	Ø11.0	Ø7.24	1-M14	65	175	22
6"	6"	6.42-7.68	6.42-7.05	7.01-7.68	Ø10.8	11.3	4.0	6.2	Ø11.0	Ø7.24	1-M14	65	175	23
7"	8"	7.48-8.74	7.48-8.11	8.07-8.74	Ø11.7	12.2	4.0	6.2	Ø13.5	Ø9.41	1-M14	65	175	31
8"	8"	8.54-9.84	8.54-9.17	9.13-9.84	Ø12.9	13.1	4.0	6.2	Ø13.5	Ø9.41	1-M14	65	175	32
10"	10"	10.70-12.00	10.70-11.37	11.33-12.00	Ø15.0	15.6	4.0	6.2	Ø16.0	Ø11.61	1-M14	65	175	38
10" o.s.	10"	10.96-12.26	10.96-11.63	11.56-12.26	Ø15.3	15.8	4.0	6.2	Ø16.0	Ø11.61	1-M14	65	175	41
12"	12"	12.40-13.66	12.40-13.03	12.99-13.66	Ø16.6	17.5	4.0	6.2	Ø19.0	Ø14.02	1-M14	65	175	52
12" o.s.	12"	13.15-14.41	13.15-13.78	13.74-14.41	Ø17.3	18.1	4.0	6.2	Ø19.0	Ø14.02	1-M14	65	175	57

Material		Weight		Note		Part Name: HYMAX F 2000		Scale	
J				Day	Name	Catalog No.		Project	
				Drawn	01.03.11	S.LORA			
				Check			Drawing No.	Sheet	
				Appr				2 of 2	

Confidential Information. All rights reserved to Krausz Industries Ltd.
This document may not be copied, reproduced, displayed, modified or used
in any way, whether in whole or in part, without the express prior written
consent of Krausz Industries Ltd.



KRAUSZ