

Hydro-Flex[®]



Total Piping Solutions, Inc.

Hydro-Flex-3000

3000 Series All Stainless Steel Pipe Repair Couplings

...The Proven Time-Savers



- * For Water and Sewerage Applications, above and below ground
- * For Pipe Diameters from 16 to 50 inches in diameter
- * Superior Two Stage Sealing Capabilities
- * Easy fitting ...a stab type or wrap-around coupling, side bolted for ease of installation
- * Lightweight ...can be handled by one or two installers
- * Standard 11-inch long body to allow for more pipe end gap
- * No Weld Construction
- * Corrosion Resistant 304 Stainless Steel

The Hydro-Flex 3000 Series coupling line is suited to a wide range of **pipe joining and repair** conditions, and each large diameter Hydro-Flex is designed for your specific application. We provide **quick turn-around for all your special requirements.**

The Hydro-Flex 3000 Series coupling, with its standard 11 inch length, can handle **pipe end gaps up to 9.5 inches**, and will accommodate angular **deflection of up to 6 degrees.**

The Hydro-Flex 3000 Series offers an efficient close range pressure assisted **Hydraulic Sealing** system, and **NSF 61 Registered EPDM Compounded gaskets.** The gasket is ideally suited for sealing on rough pipe surfaces. Temperature rating -20° to 220°F.

The Hydro-Flex 3000 Series is a **low-profile** product that can either be **stabbed on or wrapped around the pipe ends**, and requires **no disassembly.** The installer simply centers the Hydro-Flex over the pipe ends, or over the break, and tightens the bolts on the sides of the coupling to the required torque. All work is performed from the top side of the coupling, eliminating the need for extra excavation and under-dig for the wrench.

The Hydro-Flex 3000 Series can be easily handled by one person due to the durable nature of its **superior lightweight materials of construction.** The coupling is of **304 Stainless Steel** construction, and comes with stainless steel spanner, nuts and bolts and high-impact polymer lug retainers. The design requires **no welding.**

Hydro-Flex 3000 Series Specification

Materials:

ANSI 304 Stainless Steel

Bolts/Nuts: (ANSI 304/303) Stainless Steel protected with our proprietary Maxi-Lube® anti-seize type plating to prevent galling.

Pressure Assisted Gasket: NSF 61 Registered EPDM gasket compound approved for contact with drinking water and sewerage.

Working Pressure Rating:

16 to 22 inches in diameter - 150 PSIG

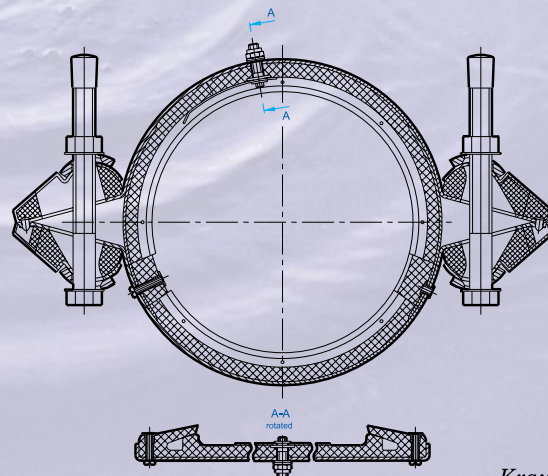
24 to 36 inches in diameter - 100 PSIG

38 to 46 inches in diameter - 75 PSIG

48 to 50 inches in diameter - 60 PSIG

(Smaller diameters from 1.5 to 14 inches are available upon request)

(Higher working pressures supplied upon request)



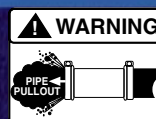
Hydro-Flex and Patent is property of Krausz Industries, Inc.



Total Piping Solutions, Inc.
1760 Haskell Road, Olean, New York 14760
Tel: 716-372-0160, Fax: 716-372-1767
Email: sales@tps.us
Website: http://tps.us



This product is not intended for use on natural gas piping, or any other type of gas piping. To do so could result in escaping gas that could ignite and cause property damage, serious injury or death.



This is a non-restraining product. If pipe pullout can occur proper anchoring of the pipe joint is required. Failure to anchor pipe could result in the escape of line content and may cause property damage, serious injury or death.