

HYJOINT[®]

2400 SERIES

Couplings



Total Piping Solutions, Inc.

HYJOINT[®] 2400 SERIES COUPLING

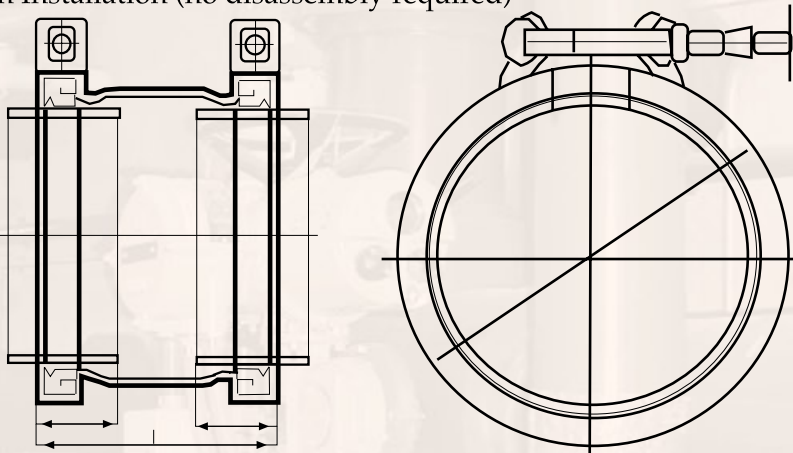
Specifications for Series 2400 Hyjoint[®] Coupling

For primary joining and repair of IPS Diameter Pipe and Tubing.
Easy to use - installs in seconds with one compression bolt per end.

Stab fit - no disassembly required.



- 2" through 24" Diameter
- Fits Steel and PVC Pipe and Tubing (IPS Sizes only)
- High Strength Steel Body with Fusion Bonded Epoxy Finish
- 304 (18-8) Stainless Steel Nuts, Bolts (one per end) and Bridge
- Hydraulically Actuated Seal Section with up to 3° Deflection per End
- NBR Gasket Material Compounded to Resist Various Line Contents
- 260 PSI Working Pressure Rating for Various Fluids (2" - 12")
- 232 PSI Working Pressure Rating for Various Fluids (14" - 24")
- 175 PSI Pressure Rating for Non-Combustible Gas Applications
- Temperature Range: -15 to +175°F
- Stab-on Installation (no disassembly required)



| Nominal Diameter (inch) | Part Number | IPS O.D. (inch) | Length "L" (inch) | Width "W" (inch) | PSI Liquid | PSI Air |
|-------------------------|---------------|-----------------|-------------------|------------------|------------|---------|
| 2" | 2400-0238-260 | 2.38 | 6.14 | 4.41 | 260 | 175 |
| 2.5" | 2400-0288-260 | 2.88 | 6.14 | 4.96 | 260 | 175 |
| 3" | 2400-0350-260 | 3.50 | 6.14 | 5.55 | 260 | 175 |
| 4" | 2400-0450-260 | 4.50 | 6.14 | 6.61 | 260 | 175 |
| 5" | 2400-0556-260 | 5.56 | 6.14 | 7.56 | 260 | 175 |
| 6" | 2400-0663-260 | 6.63 | 6.14 | 8.66 | 260 | 175 |
| 8" | 2400-0863-260 | 8.63 | 8.11 | 10.79 | 260 | 175 |
| 10" | 2400-1075-260 | 10.75 | 8.11 | 13.11 | 260 | 175 |
| 12" | 2400-1275-260 | 12.75 | 8.19 | 15.12 | 260 | 175 |
| 14" | 2400-1400-232 | 14.00 | 8.19 | 16.18 | 232 | 175 |
| 16" | 2400-1600-232 | 16.00 | 8.19 | 18.19 | 232 | 175 |
| 18" | 2400-1800-232 | 18.00 | 7.60 | 20.20 | 232 | * |
| 20" | 2400-2000-232 | 20.00 | 7.60 | 22.20 | 232 | * |
| 24" | 2400-2400-232 | 24.00 | 7.60 | 26.22 | 232 | * |

*Not recommended for air.

Cross Reference: Smith Blair 411; Dresser 38; Romac 400; Ford FC3-FC4.

The HYJOINT[®] Trademark and Patent is property of Krausz Industries, Ltd.

Note: Consult specification sheet for gasket and line content capability.

Note: Consult Manufacturer for compatibility of product with fluids other than air, nitrogen, water, or oil, and for coating compatibility with corrosive elements or line content other than water.

Note: To extend product life in corrosive environments, poly-wrapping and/or cathodic protection of the coupling is recommended.



Total Piping Solutions, Inc.
1760 Haskell Road, Olean, New York 14760
Tel: 716-372-0160 Fax: 716-372-1767
E-mail: sales@tps.us
Website: http://tps.us

