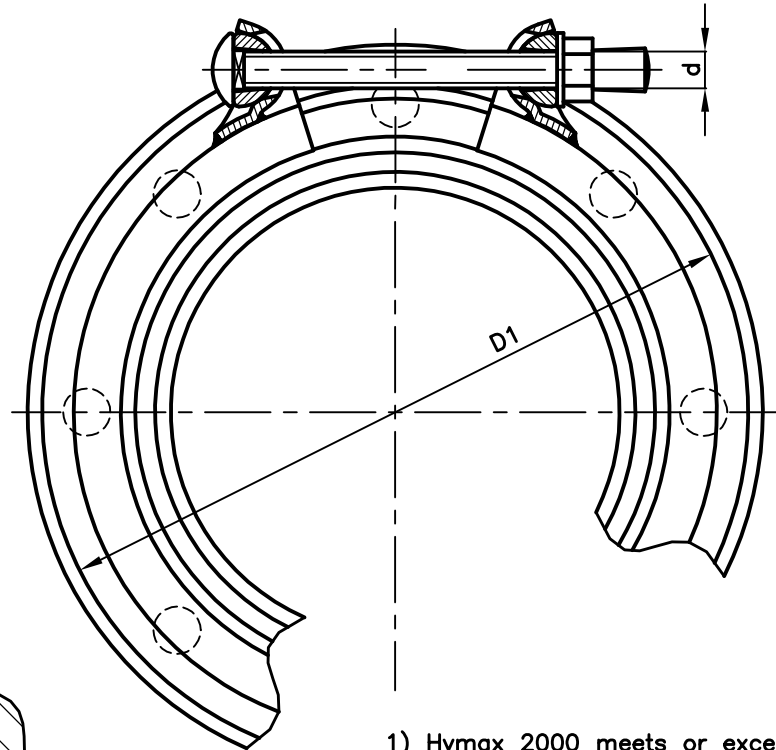
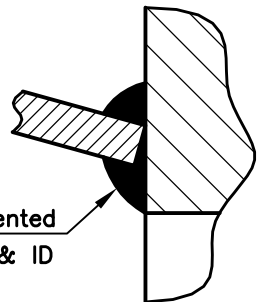


FLANGE ANSI B16.5 for 3"  
FLANGE AWWA class D for 4"-12"



A  
2:1



Circumferential  
Weld OD & ID

- 1) Hymax 2000 meets or exceeds all specifications of AWWA Standard C219.
- 2) Center Ring – ASTM A 53 Grade A steel.
- 3) End Rings – ASTM A 795 steel.
- 4) Gaskets – EPDM compounded for water and sewerage, meets NSF 61 requirements.
- 5) Bolts and Nuts – Type 304 stainless steel. Rolled thread and anti galling coating.
- 6) Bridge – Type 304 stainless steel.
- 7) Coating – 100% Fusion bonded epoxy for enhanced corrosion protection. Average thickness 14 Mil.
- 8) G = Min. Pipe Insertion of 2.25 inch
- 9) Working Pressure : 175 PSI
- 10) Flange – meets ANSI B16.5 for 3" meets AWWA class D for 4"-12".

ND (mm/inch)	Overall Range (inch)	Before removal the inner layer (inch)	After removal the inner layer (inch)	D1 (inch)	L (inch)	i (inch)	D2 (inch)	B (inch)	d (mm)	Approx. Weight (Lbs)
80/3"	3.46-4.33	3.46-3.90	3.86-4.33	ø6.69	4.8	2.9	ø7.5	ø4.00	M12	12
100/4"w	4.25-5.63	4.25-5.00	4.92-5.63	ø8.66	4.9	2.9	ø9.0	ø5.24	M14	14
150/6"	6.42-7.68	6.42-7.05	7.01-7.68	ø10.75	6.0	4.0	ø11.0	ø7.24	M14	23
200/8"	8.54-9.84	8.54-9.17	9.13-9.84	ø12.91	6.0	4.0	ø13.5	ø9.41	M14	32
250/10"	10.70-12.00	10.70-11.37	11.33-12.00	ø15.04	6.0	4.0	ø16.0	ø11.61	M14	38
250/10"o.s.	10.96-12.26	10.96-11.63	11.59-12.26	ø15.28	6.0	4.0	ø16.0	ø11.61	M14	41
300/12"	12.40-13.66	12.40-13.03	12.99-13.66	ø16.61	6.2	4.0	ø19.0	ø14.02	M14	52
300/12"o.s.	13.15-14.41	13.15-13.78	13.74-14.41	ø17.32	6.2	4.0	ø19.0	ø14.02	M14	57

Edition	F	Day	Name	Part Name: HYMAX F 2000
	Drawn	14.08.05	S.LORA	
	Check			Drawing No.
Appr				