

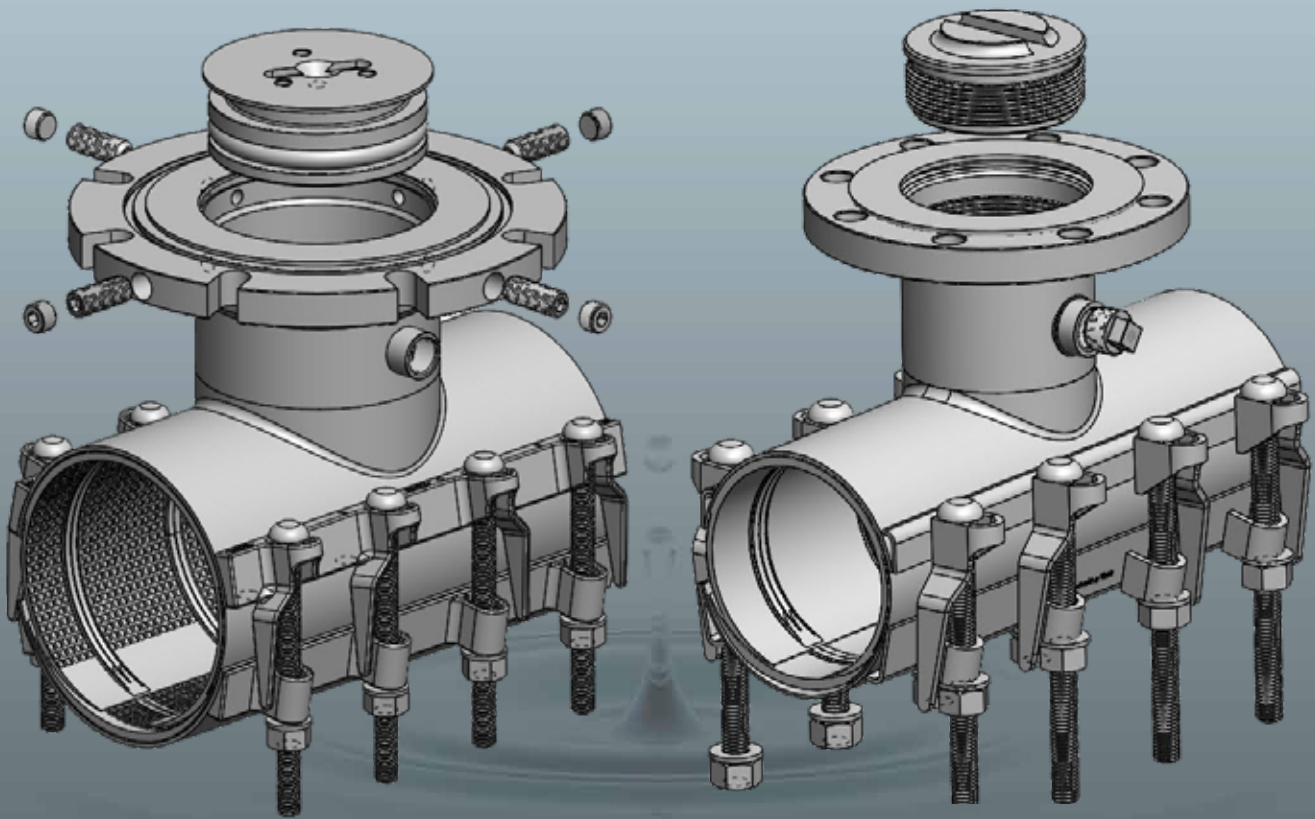


Triple Tap[®]

Line Stop Fitting

*Extended Range Stainless Steel
Line Stop Fitting*

4" to 24" Diameters with Branches to 12"



Total Piping Solutions, Inc.

TRIPLE TAP[®] *Extended Range Stainless Steel Line Stop Fitting*

4" - 24" Diameters with Branches and Completion Plugs to 12"

The patented Triple Tap[®] Line Stop Fitting is another value-added, innovative, high performance product from Total Piping Solutions. All TPS products are designed to save time, labor and inventory dollars in the water and wastewater piping industries.

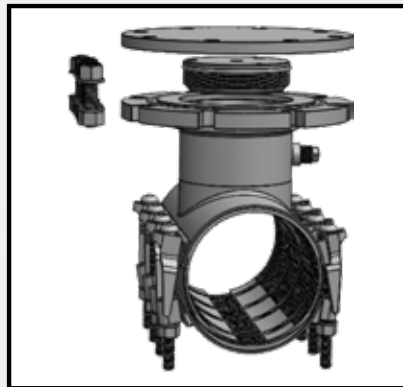


The Triple Tap Line Stop Fitting is available in sizes 4" thru 24" pipe diameters with both threaded or push plug design. And, like the Triple Tap Tapping Sleeve, it is designed to withstand the stresses and mechanical forces incurred during the line stopping process.

One of the distinct advantages of the Triple Tap Line Stop Fitting is its capacity to accommodate up to a maximum of 0.9 inch of diameter range. This increased range (more than double the range of competing line stop fittings) allows a substantial reduction in inventory. Plus, the Triple Tap Line Stop Fitting may be used to tap and stop steel, ductile iron, old cast iron, PVC, asbestos-cement, and polyethylene pipe, in most cases, with only one sleeve. This feature eliminates the need for extra on-hand sizes, making it easier to accommodate many local market requirements.

The Triple Tap Line Stop Fitting requires no special tools for installation and all sizes are easily installed by simply cleaning the pipe, lubricating the gasket and tightening the bolts to the required torque value. The simple lug and bolting design eliminates in-field issues when being installed over the conductor pipe.

The Triple Tap Line Stop Fitting is equipped with a full circumferential NSF/ANSI 61 compliant NBR rubber gasket that is combined with a heavy-duty aperture seal on the branch and provides a 360° around-the-pipe seal in case of a beam break. This patented feature allows the sleeve to maintain a seal in the event of complete pipe breakage during a size-on-size tap or stop operation.



**Threaded Style Completions
Plug Assembly**



**Push Style Completions
Plug Assembly**

TRIPLE TAP[®] *Extended Range Stainless Steel Line Stop Fitting*

Specifications

Pressure Rating: When properly installed according to the installation instructions, branch working pressure ratings are as follows:

- 4 - 12" - 250 PSI Rated, 375 PSI Test Pressure
- 14 - 24" - 225 PSI Rated, 350 PSI Test Pressure

Best in Class Beam Break Performance

For size on size line stops and pipe up to 18" diameter - 175 PSI Working Pressure
225 PSI Test Pressure

NOTE: ALWAYS REFER TO THE PRODUCT LABEL FOR THE ACTUAL PRESSURE RATING OF THE LINE STOP FITTING.

For any installation the allowable working pressure will be determined by the condition of the pipe, size of pipe, type of pipe, size of the sleeve, line content, temperature, environmental conditions, corrosion potential, and installation workmanship.

Temperature Rating: Maximum Continuous Working Temperature Range of 180° F

Gasketing: NSF/ANSI61 Approved NBR Rubber - For Water and Wastewater Service

Shell: Fully Passivated 18-8 Stainless Steel for Corrosion Protection. Made of heavy duty 12 gauge stainless steel in 4 through 8 inch sizes, heavier and thicker 11 gauge stainless steel in 10 and 12 inch sizes, and 10 gauge for 14 and 24 inch sizes

Conductor Pipe: TPS Triple Tap Line Stop Fittings are designed for use with Steel, Cast Iron, Ductile Iron, PVC, High Density Polyethylene, Asbestos Cement and Copper Main Conductor pipe materials

Branch Pipe: All Line Stop Fittings include a heavy duty Schedule 40 branch fitting designed to accommodate the completion plug

Pipeline Full Beam Break Conditions: TPS Stainless Line Stop Fittings are designed to accommodate a full pipeline break occurring typically in ductile or cast iron pipe at the point where the maximum material has been circumferentially removed from the drilled hole (using full size cutter) in size-on-size line taps.

3/4" Test Outlet: Allows for hydrostatic pressure test before tapping the pipe and for pressure equalization

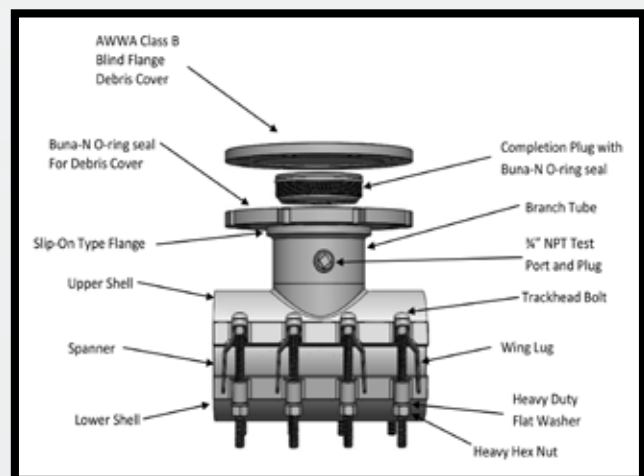
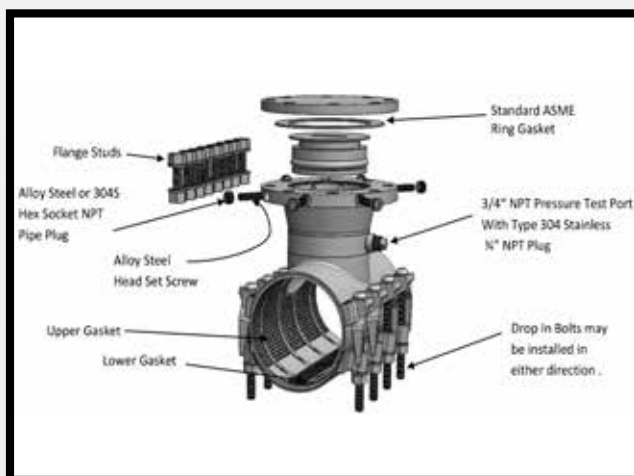
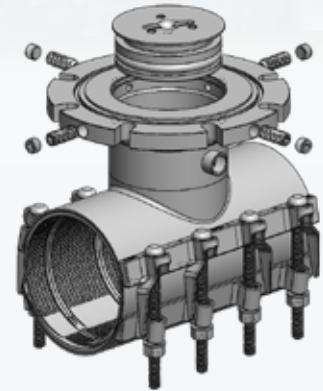
Line Stop Compatible Outlet: ANSI/ASME B16.5 Class 150 slip-on flange made from 304 stainless steel or carbon steel for most commonly used line stopping equipment. It is equipped with an ANSI/ASME B16.5 Class 150 drilling pattern and includes an MSS-SP60 recess for all industry standard tapping valves.

Line Stopping Completion Plug: Completion Plugs may be threaded or push style. Plug construction is of Ductile Iron per ASTM A536.

Completion Plug Interfaces are designed to fit all popular line stopping equipment. For completion plug interface dimensions contact Total Piping Solutions Customer Service.

Blind Flange/Debris Cover: Standard AWWA Class B. 150# Available upon request

Blind Flange Bolts: Stainless Steel Type 304 with anti-gall coating on nuts



TRIPLE TAP[®] *Extended Range Stainless Steel Line Stop Fitting*

Nominal Diameter	Lower Diameter	Upper Diameter	Available Branch Sizes	CTS	IPS	DI	Pit Cast	AC100	AC150	AC200
4	4.45	5.13	4	5.13	4.50	4.80	5.00			
4 o.s.	4.74	5.36	4			4.80	5.00	5.26	5.32	
5	5.50	6.20	4	6.13	5.56					5.57
6	6.55	7.42	4,6		6.63	6.90	7.10	7.40	7.37	
6 o.s.	6.84	7.65	4,6			6.90	7.10	7.40	7.37	7.60
8	8.54	9.44	6,8		8.63	9.05	9.30			
8 o.s.	8.98	9.84	6,8			9.05	9.30	9.57	9.62	9.79
10	10.64	11.46	8,10		10.75	11.10	11.40			
10 o.s.	11.34	12.16	8,10				11.40	11.77	12.12	12.12
12	12.62	13.56	8,10,12		12.75	13.20	13.50			
12 o.s.	13.65	14.42	8,10,12		14.00			14.04	14.38	14.38
14	15.22	16.16	10,12		16.00	15.30	15.65	15.80		
14 o.s.	16.18	16.92	10,12						16.73	16.88
16	17.25	18.18	12		18.00	17.40	17.80	17.94		
16 o.s.	18.42	19.23	12						18.97	19.19
18	19.37	20.25	12			19.50	19.92			
20	21.40	22.22	12			21.60	22.06			
24	25.60	26.40	12			25.80	26.32			

ASTM A380-06 Standard Practice for Cleaning, Descaling and Passivation of Stainless Steel Parts, Equipment and Systems

ASTM A967-05 Standard Specification for Chemical Passivation Treatments for Stainless Steel Parts

ANSI/AWWA C223-13 Fabricated Steel and Stainless Steel Tapping Sleeves

MSS SP-60-2004 Connecting Flange Joint Between Tapping Sleeves and Tapping Valves

NSF/ANSI Standard 61 Drinking Water System Components

ASTM D2000-12 Standard Classification System for Rubber Products

MSS SP-113-2012 Connecting Joints Between Tapping Machines and Tapping Valves

MSS SP-124-2012 Fabricated Tapping Sleeves

ASTM D 2241-04a Standard Specification for Polyvinyl Chloride (PVC) Pressure-Rated Pipe (SDR Series)

ANSI/AWWA C900-07 Polyvinyl Chloride (PVC) Pressure Pipe and Fabricated Fittings, 4 in. through 12 in. for Water Transmission and Distribution

ANSI/AWWA C906-07 Polyethylene (PE) Pressure Pipe and Fittings, 4 in through 63 in. for Water Transmission and Distribution

ANSI/AWWA C110/A21.10-08 Ductile Iron and Gray-Iron Fittings

ANSI/AWWA C111/A21.11-07 Rubber Gasketed Joints for Ductile Iron Pressure Pipe and Fittings

ASME B16.5-2004 Entitled Pipe Flanges and Flanged Fittings



and Triple Tap[®] are registered trademarks of Total Piping Solutions, Inc.

Total Piping Solutions, Inc.

1760 Haskell Road, Olean, New York 14760

TEL: 716-372-0160, FAX: 716-372-1767

E-Mail: sales@tps.us

VISIT OUR WEBSITE: www.tps.us

